

GENERAL PURPOSE LED LIGHTING PWM CONTROLLER

 Check for Samples: [TPS92001](#), [TPS92002](#)

FEATURES

- Ideal for Single Stage Designs
- Supports Isolated and Non-Isolated Topologies
- Phase-Cut TRIAC Dimmable
- Few External Components Mode Operation
- Wide Duty Cycle Range for Wide-Input Voltage or Dimming Range
- Convenient 5-V Reference Output
- Undervoltage Lockout for Safe Operation
- Operation to 1-MHz
- 0.4-A Source/0.8-A Sink FET Driver
- Low 100- μ A Startup Current

APPLICATIONS

- Residential LED Lighting Drivers for A19 E12/E26/27, GU10, MR16, PAR30/38 Integral Lamps
- Drivers for Wall Sconces, Pathway Lighting and Overhead Lighting
- Drivers for Wall Washing, Architectural and Display Lighting

DEVICE NUMBER	TURN-ON THRESHOLD (V)	TURN-OFF THRESHOLD (V)
TPS92001	10	8
TPS92002	15	

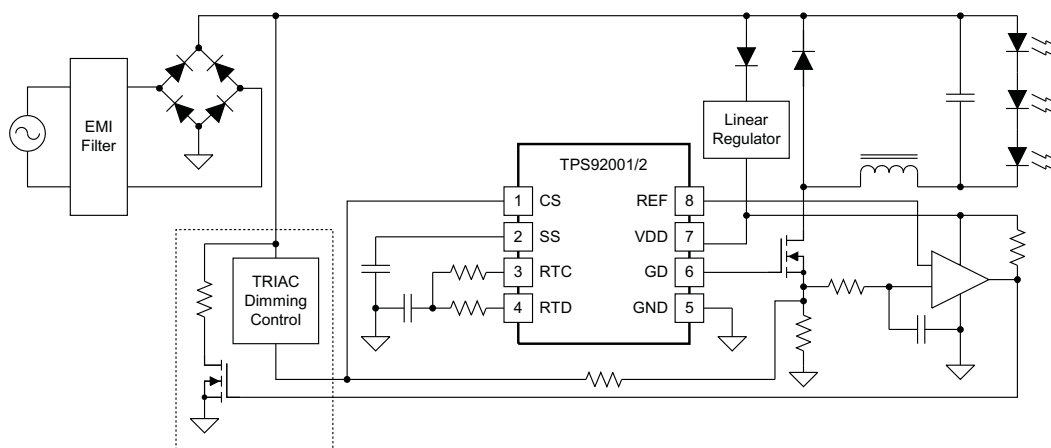
DESCRIPTION

The TPS92001/2 family of general LED lighting PWM controllers contains control and drive circuitry required for off-line isolated or non-isolated LED lighting applications.

The controllers can support Phase Cut TRIAC dimming with minimal external components. The controllers can also be implemented for stage conversion where the power factor (PF) exceeds regulatory requirements for lighting. These controllers also have an accessible 5-V reference that could be used to power a microcontroller or other low power peripheral components. The controllers operate in fixed frequency current mode switching with minimal external parts count. Internally implemented circuits include undervoltage lockout featuring startup current less than 100 μ A, logic to ensure latched operation, a PWM comparator, and a totem pole output stage to sink or source peak current. The output stage, suitable for driving N-Channel MOSFETs, is low in the off state. Oscillator frequency and maximum duty cycle are programmed with two resistors and a capacitor.

The TPS92001/2 family also features full cycle soft start. The family offers UVLO thresholds and hysteresis levels for off-line and DC-to-DC systems. The TPS92001/2 is offered in the 8-pin MSOP (DGK) and 8-pin SOIC (D) packages. The small MSOP package makes the device ideally suited for applications where board space and height are at a premium.

SIMPLIFIED APPLICATION



UDG-10003



Please be aware that an important notice concerning availability, standard warranty, and use in critical applications of Texas Instruments semiconductor products and disclaimers thereto appears at the end of this data sheet.



This integrated circuit can be damaged by ESD. Texas Instruments recommends that all integrated circuits be handled with appropriate precautions. Failure to observe proper handling and installation procedures can cause damage.

ESD damage can range from subtle performance degradation to complete device failure. Precision integrated circuits may be more susceptible to damage because very small parametric changes could cause the device not to meet its published specifications.

ABSOLUTE MAXIMUM RATINGS

over operating free-air temperature range unless otherwise noted⁽¹⁾

		RANGE	UNIT
Input voltage range	VDD	19	V
	SS	-0.3 to REF + 0.3	
	RTC, RTD	-0.3 to REF + 0.3	
Continuous input current	I _{REF}	-15	mA
	I _{VDD}	25	
Output current	I _{GD} (tpw < 1 μs and Duty Cycle < 10%)	-0.4 to 0.8	A
Operating junction temperature	T _J	-55 to +150	°C
Storage temperature	T _{stg}	-65 to +150	
Lead temperature	Soldering, 10 s	+300	

- (1) Stresses beyond those listed under *Absolute Maximum Ratings* may cause permanent damage to the device. These are stress ratings only, and functional operation of the device at these or any other conditions beyond those indicated under *Recommended Operating Conditions* is not implied. Exposure to absolute-maximum-rated conditions for extended periods may affect device reliability. All voltages are with respect to GND. Currents are positive into, negative out of the specified terminal.

RECOMMENDED OPERATING CONDITIONS

		MIN	MAX	UNIT
VDD	Input voltage		21	V
I _{GD}	Output sink current	0		A
T _J	Operating junction temperature	-40	105	°C

DISSIPATION RATINGS

PACKAGE	θ _{JA} , THERMAL IMPEDANCE JUNCTION-TO-AMBIENT, NO AIRFLOW (°C/W)	θ _{JB} , THERMAL IMPEDANCE JUNCTION-TO-BOARD, NO AIRFLOW (°C/W)	T _A = 25°C POWER RATING (mW)	T _A = 85°C POWER RATING (mW)	T _B = 85°C POWER RATING (mW)
SOIC-8 (D)	165 ⁽¹⁾	55	606 ⁽²⁾	242 ⁽²⁾	730 ⁽²⁾⁽³⁾
MSOP-8 (DGK)	181 ⁽¹⁾	62	552 ⁽²⁾	221 ⁽²⁾	664 ⁽³⁾⁽²⁾

- (1) Tested per JEDEC EIA/JESD51-1. Thermal resistance is a function of board construction and layout. Air flow will reduce thermal resistance. This number is included only as a general guideline; see TI document [SPRA953 IC Package Thermal Metrics](#).
 (2) Maximum junction temperature T_J, equal to 125°C.
 (3) Thermal resistance to the circuit board is lower. Measured with standard single-sided PCB construction. Board temperature, T_B, measured approximately 1 cm from the lead to board interface. This number is provided only as a general guideline.

ELECTROSTATIC DISCHARGE (ESD) PROTECTION

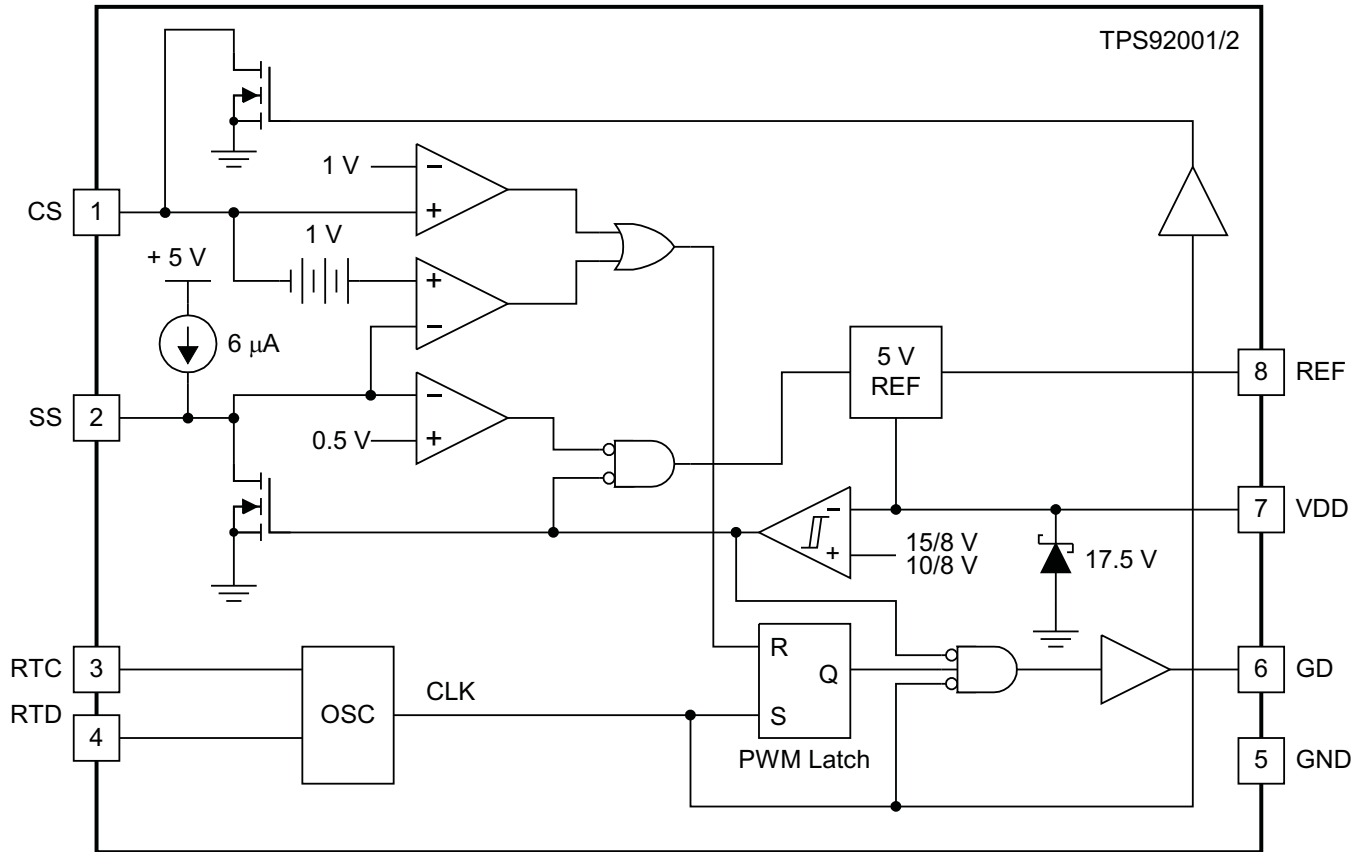
		MIN	MAX	UNIT
Human body model			2000	V
CDM			1500	

ELECTRICAL CHARACTERISTICS
 $V_{VDD} = 12\text{ V}$, $C_{REF} = 0.47\text{-}\mu\text{F}$, $T_A = T_J$ (unless otherwise noted)

PARAMETER		TEST CONDITIONS	MIN	TYP	MAX	UNIT
SUPPLY SECTION						
VDD	Supply clamp	$I_{VDD} = 10\text{ mA}$	16	17.5	19	V
I_{VDD}	Supply current	No Load		600	900	μA
I_{VDD}	Supply current startup ⁽¹⁾			110		μA
	Supply current standby	$V_{VDD} = \text{Start threshold} - 300\text{ mv}$		110	125	μA
				130	170	
UNDERVOLTAGE LOCKOUT SECTION						
	Start threshold	TPS92001	9.4		10.4	V
		TPS92002	14.0		15.6	
	UVLO hysteresis	TPS92001	1.65			
		TPS92002	6.2			
VOLTAGE REFERENCE SECTION						
	Output voltage	$I_{REF} = 0\text{ mA}$	4.75	5	5.25	V
	Line regulation	$10\text{ V} \leq V_{VDD} \leq 15\text{ V}$		2		mV
	Load regulation	$0\text{ mA} \leq I_{REF} \leq 5\text{ mA}$		2		mV
COMPARATOR SECTION						
I_{CS}	Current sense	Output OFF		-100		nA
	Comparator threshold		0.9	0.95	1	V
GD_{DLY}	GD propagation delay (No Load)	$0.8\text{ V} \leq V_{CS} \leq 1.2\text{ V}$ at $T_R = 10\text{ ns}$		50	100	ns
SOFT START SECTION						
I_{SS}	Soft-start current	$V_{VDD} = 16\text{ V}$, $V_{SS} = 0\text{ V}$, $-40^\circ\text{C} \leq T_A \leq 85^\circ\text{C}$	-4.9	-7.0	-9.1	μA
		$V_{VDD} = 16\text{ V}$, $V_{SS} = 0\text{ V}$, $-40^\circ\text{C} \leq T_A \leq 85^\circ$	-4.9	-7.0	-10.0	μA
V_{SS}	Low-level output voltage	$V_{VDD} = 7.5\text{ V}$, $I_{SS} = 200\text{ }\mu\text{A}$			0.2	V
	Shutdown threshold		0.44	0.48	0.52	V
OSCILLATOR SECTION						
	Switching frequency	$R_{RTC} = 10\text{ k}\Omega$, $R_{RTD} = 4.32\text{ k}\Omega$, $C_{CT} = 820\text{ pF}$	90	100	110	kHz
	Frequency change with voltage	$10\text{ V} \leq V_{VDD} \leq 15\text{ V}$		0.1		%/V
$V_{CT(\text{peak})}$	Timing capacitor peak voltage			3.33		V
$V_{CT(\text{valley})}$	Timing capacitor valley voltage			1.67		V
$V_{CT(\text{p-p})}$	Timing capacitor peak-to-peak voltage		1.54	1.67	1.80	V
GATE DRIVE SECTION						
	Power driver V_{SAT} low	$I_{GD} = 80\text{ mA}$ (dc)		0.8	1.5	V
	Power driver V_{SAT} high	$I_{GD} = -40\text{ mA}$ (dc), $(V_{VDD} - V_{GD})$		0.8	1.5	V
	Power driver low-voltage during UVLO	$I_{GD} = 20\text{ mA}$ (dc)			1.5	V
D_{MIN}	Minimum duty cycle	$V_{CS} = 2\text{ V}$		0%		
D_{MAX}	Maximum duty cycle			70%		
t_{RISE}	Rise Time	$C_{GD} = 1\text{ nF}$		35		ns
t_{FALL}	Fall Time	$C_{GD} = 1\text{ nF}$		18		ns

(1) Specified by design. Not production tested.

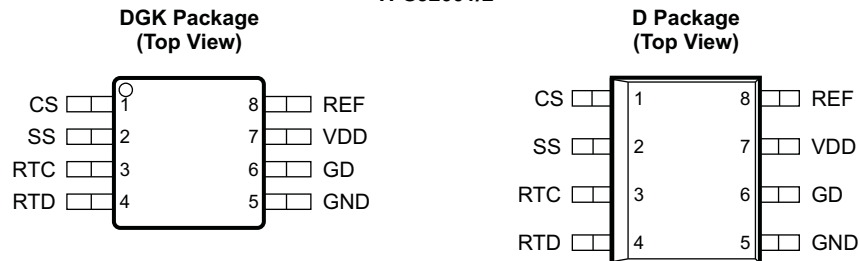
FUNCTIONAL BLOCK DIAGRAM



UDG-10004

ORDERING INFORMATION

OPERATING TEMPERATURE RANGE T _A	PACKAGE	THRESHOLD		ORDERABLE DEVICE NUMBER	PINS	TRANSPORT MEDIA	QUANTITY
		TURN-ON	TURN-OFF				
–40°C to 85°C	Plastic Small Outline (MSOP)	10	8	TPS92001DGK	8	Tube	80
				TPS92001DGKR		Tape and Reel	2500
	TPS92001D			Tube		75	
	TPS92001DR			Tape and Reel		2500	
	Plastic Small Outline (SOIC)	15		TPS92002DGK		Tube	80
				TPS92002DGKR		Tape and Reel	2500
	Plastic Small Outline (MSOP)	15		TPS92002D		Tube	75
				TPS92002DR		Tape and Reel	2500

DEVICE INFORMATION
TPS92001/2

PIN FUNCTIONS

PIN NAME	NO.	I/O	DESCRIPTION
CS	1	I	This pin is the summing node for current sense feedback, voltage sense feedback (by optocoupler) and slope compensation. Slope compensation is derived from the rising voltage at the timing capacitor and can be buffered with an external small signal NPN transistor. External high frequency filter capacitance applied from this node to GND is discharged by an internal 250ohm on resistance NMOS FET during PWM off time. It offers effective leading edge blanking, with the delay set by the RC time constant of the feedback resistance from current sense resistor to CS input and the high frequency filter capacitor at this node to GND.
GND	5	–	Reference ground and power ground for all functions.
GD	6	O	This pin is the high current power driver output. A minimum series gate resistor of 3.9 Ω is recommended to limit the gate drive current when operating with high-bias voltages.
REF	8	O	The internal 5-V reference output. This reference is buffered and is available on the REF pin. The REF pin should be bypassed with a 0.47-μF ceramic capacitor to GND.
RTC	3	I	This pin connects to timing resistor R _{RTC} , and controls the positive ramp (rise) time of the internal oscillator (see Equation 1). The positive threshold of the internal oscillator is sensed through inactive timing resistor R _{RTD} which connects to pin RTD and timing capacitor, C _{CT} . $t_{RISE} = 0.74 \times (C_{CT} + 27 \text{ pF}) \times R_{RTC} \quad (1)$
RTD	4	I	This pin connects to timing resistor RTD and controls the negative ramp (fall) time of the internal oscillator (see Equation 2). The negative threshold of the internal oscillator is sensed through inactive timing resistor R _{RTC} which connects to pin RTC and timing capacitor, C _{CT} . $t_{FALL} = 0.74 \times (C_{CT} + 27 \text{ pF}) \times R_{RTD} \quad (2)$
SS	2	I	This pin serves two functions. The soft start timing capacitor connects to SS and is charged by an internal 6-μA current source. Under normal soft-start, the SS pin is discharged to at least 0.4 V and then ramps positive to 1 V during which time the output driver is held low. As the SS pin charges from 1 V to 2 V, the soft-start is implemented by an increasing output duty cycle. If the SS pin is taken below 0.5 V, the output driver is inhibited and held low. The user accessible 5-V voltage reference also goes low and I _{VDD} = 100 μA
VDD	7	I	The power input connection for this device. This pin is shunt regulated at 17.5 V which is sufficiently below the voltage rating of the DMOS output driver stage. VDD should be bypassed with a 1-μF ceramic capacitor.

APPLICATION INFORMATION

Introduction

The typical application diagrams in [Figure 3](#) and [Figure 4](#) show isolated and non-isolated flyback converters utilizing the TPS92001. Note that the capacitors C_{REF} and C_{VDD} are local decoupling capacitors for the reference and device input voltage, respectively. Both capacitors should be low ESR and ESL ceramic, placed as close as possible to the device pins, and returned directly to the ground pin of the device for best stability. The REF pin provides the internal bias to many of the device functions and C_{REF} should be at least 0.47- μ F to prevent the REF voltage from drooping.

Current Sense (CS) Pin

In the TPS92001/2, the current regulation is obtained through the summation of the primary current sense and any slope compensation at the CS pin compared to a 1-V threshold, as shown in the [FUNCTIONAL BLOCK DIAGRAM](#). Crossing this 1-V threshold resets the PWM latch and modulates the output driver on-time. In the absence of a CS signal, the output obeys the programmed maximum on-time of the oscillator. When adding slope compensation, it is important to use a small capacitor to AC couple the oscillator waveform before summing this signal into the CS pin. By forcing the CS node to exceed the 1-V threshold the TPS92001/2 is forced to zero percent duty cycle.

Oscillator

[Equation 3](#) calculates the oscillator frequency setting.

$$f_{OSC} = (0.74 \times (C_{CT} + 27\text{pF}) \times (R_{RTC} + R_{RTD}))^{-1} \tag{3}$$

$$D_{MAX} = 0.74 \times R_{TC} \times (C_T + 27\text{pF}) \times f_{OSC} \tag{4}$$

Referring to [Figure 1](#) and the waveforms in [Figure 2](#), when Q1 is on, C_{CT} charges via the on-resistance of the Q1 MOSFET and the RTC pin. During this charging process, the voltage of C_{CT} is sensed through the RTD pin. The S input of the oscillator latch, S_{OSC} , is level sensitive, so crossing the upper threshold (set at $2/3 V_{REF}$ or 3.33 V for a typical 5.0 V reference) sets the Q output (CLK signal) of the oscillator latch high. A high CLK signal results in turning off Q1 and turning on Q2. The timing capacitor then discharges through RTD and the $R_{DS(on)}$ of Q2. C_{CT} discharges from 3.33 V to the lower threshold (set at $1/3 V_{REF}$ or 1.67 V for a typical 5.0-V reference) sensed through RTC. The R input to the oscillator latch, R_{OSC} , is also level sensitive and resets the CLK signal low when C_{CT} crosses the 1.67-V threshold, turning off Q2 and turning on Q1, initiating another charging cycle.

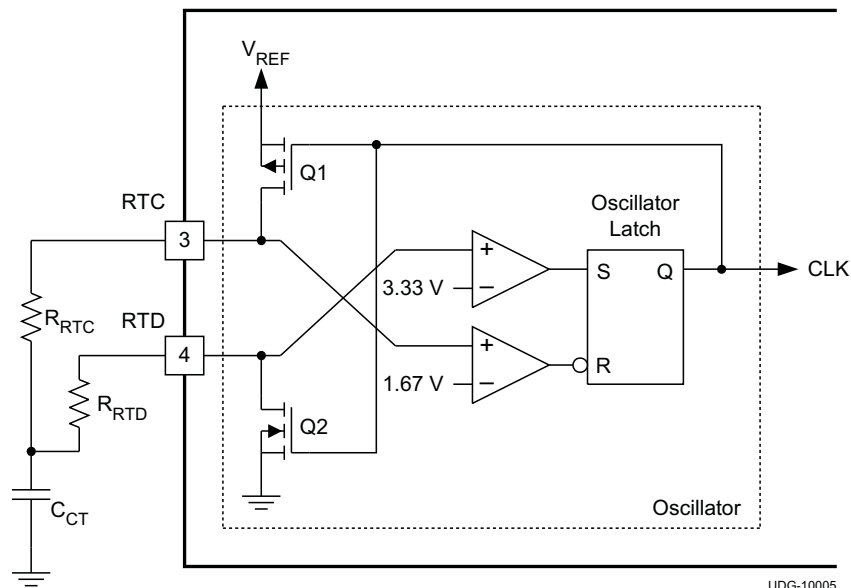


Figure 1. Oscillator Function

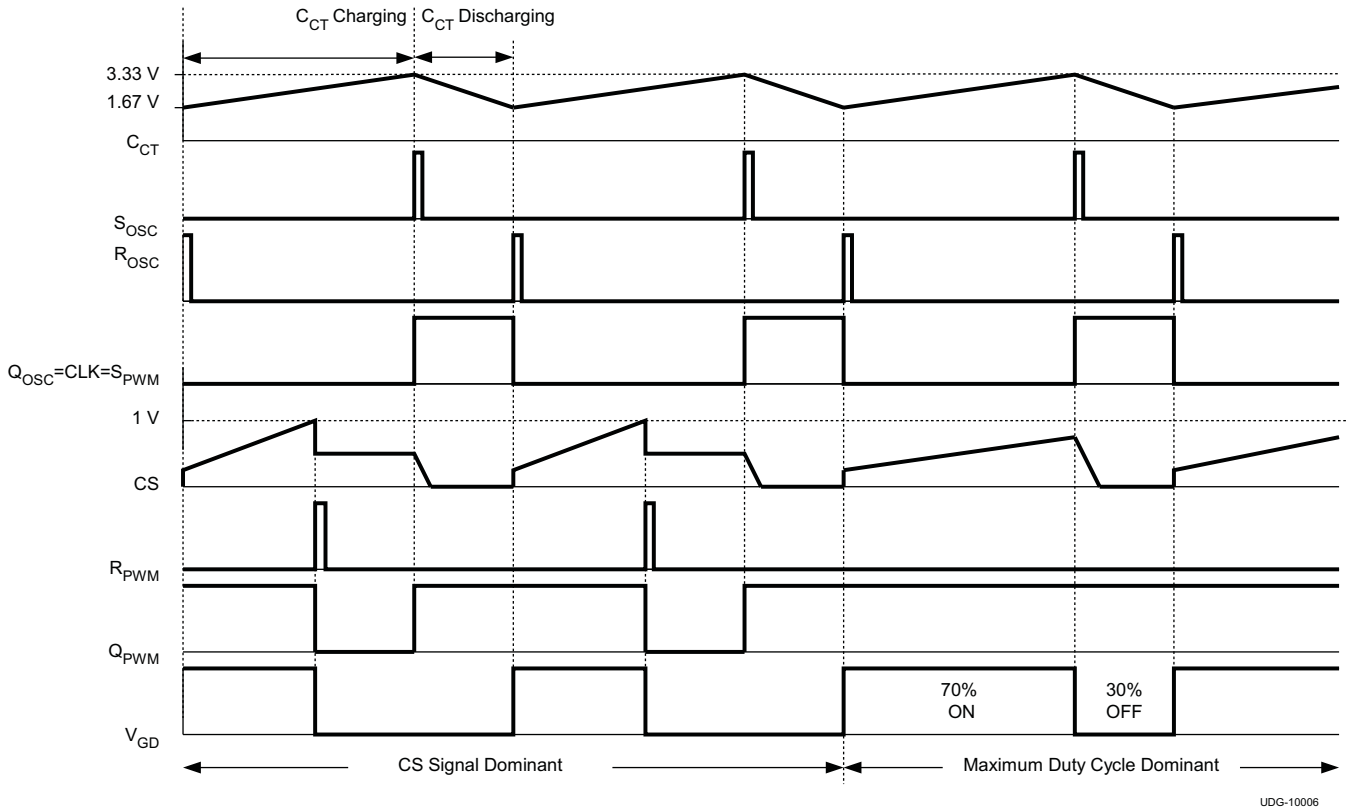


Figure 2. Oscillator Latch and PWM Latch Waveforms

Figure 2 shows the waveforms associated with the oscillator latch and the PWM latch (shown in the Typical Application Diagram). A high CLK signal not only initiates a discharge cycle for C_{CT} , it also turns on the internal N-channel MOSFET on the CS pin causing any external capacitance used for leading edge blanking connected to this pin to be discharged to ground. By discharging any external capacitor completely to ground during the external switch off-time, the noise immunity of the converter is enhanced allowing the user to design in smaller R-C components for leading edge blanking. A high CLK signal also sets the level sensitive S input of the PWM latch, S_{PWM} , high, resulting in a high output, Q_{PWM} , as shown in Figure 2. This Q_{PWM} signal remains high until a reset signal, R_{PWM} is received. A high R_{PWM} signal results from the CS signal crossing the 1-V threshold, or during soft-start or if the SS pin is disabled.

Assuming the UVLO threshold is satisfied, the GD signal of the device remains high as long as Q_{PWM} is high and S_{PWM} , also referred to as CLK, is low. The GD signal is dominated by the CS signal as long as the CS signal trips the 1-V threshold while CLK is low. If the CS signal does not cross the 1-V threshold while CLK is low, the GD signal will be dominated by the maximum duty cycle programmed by the user. Figure 2 illustrates the various waveforms for a design set up for a maximum duty cycle of 70%.

The recommended value for C_{CT} is 1 nF for frequencies in the 100 kHz or less range and smaller C_{CT} for higher frequencies. The minimum recommended values of R_{RTC} is 10 k Ω . The minimum recommended value of R_{RTD} is 4.32 k Ω . Using these values maintains a ratio of at least 20:1 between the $R_{DS(on)}$ of the internal FETs and the external timing resistors, resulting in minimal change in frequency over temperature. Because of the oscillator susceptibility to capacitive coupling, examine the oscillator frequency by looking at the common RTC-RTD-CT node on the circuit board as opposed to looking at pins 3 and 4 directly. For good noise immunity, the RTC and RTD resistors should be placed as close to pins 3 and 4 of the device as possible. The timing capacitor should be returned directly to the ground pin of the device with minimal stray inductance and capacitance.

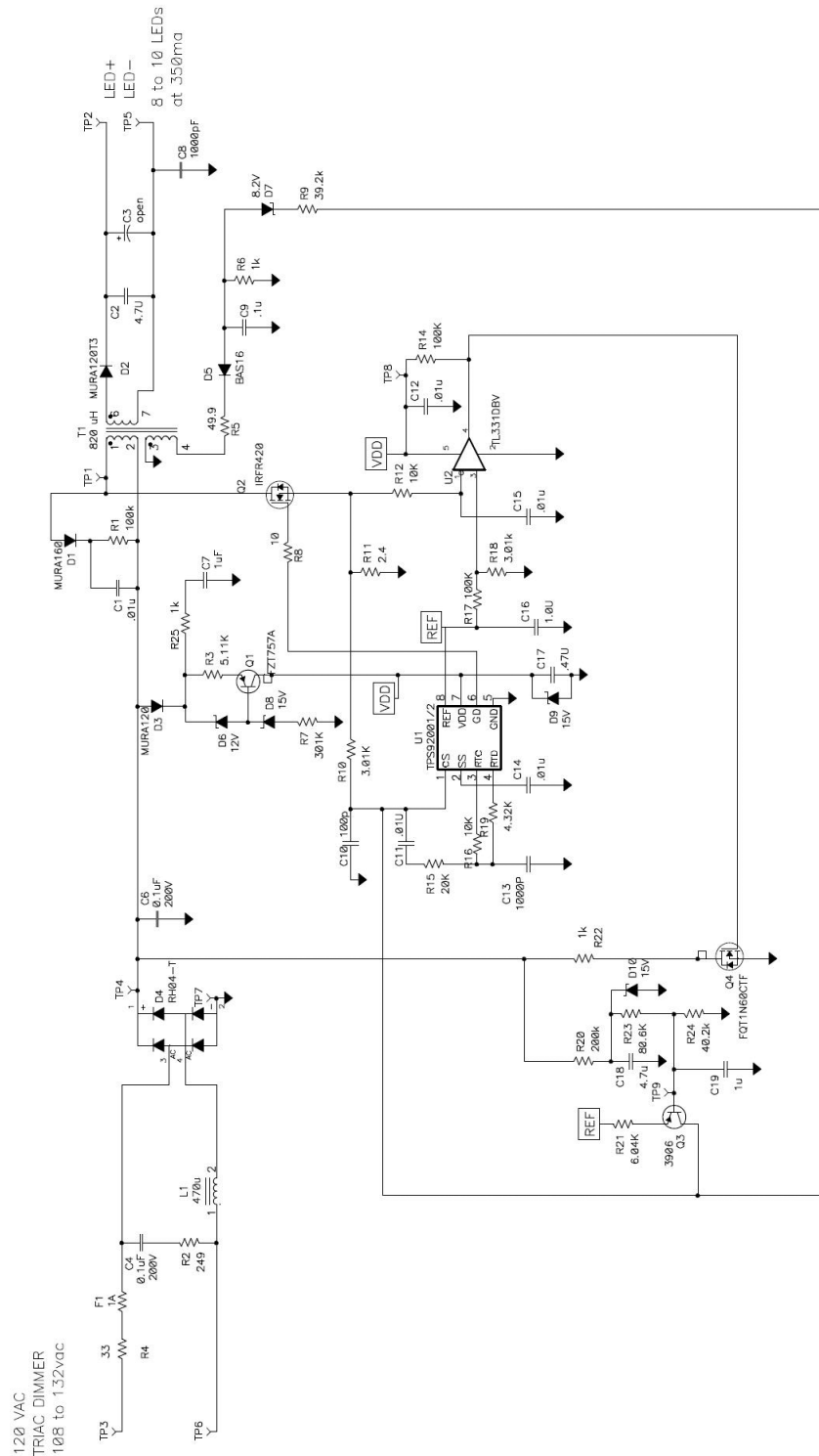


Figure 3. Isolated Flyback with TRIAC Dimming Interface

CAUTION

Do not operate the Isolated Flyback described in Figure 3 without load.

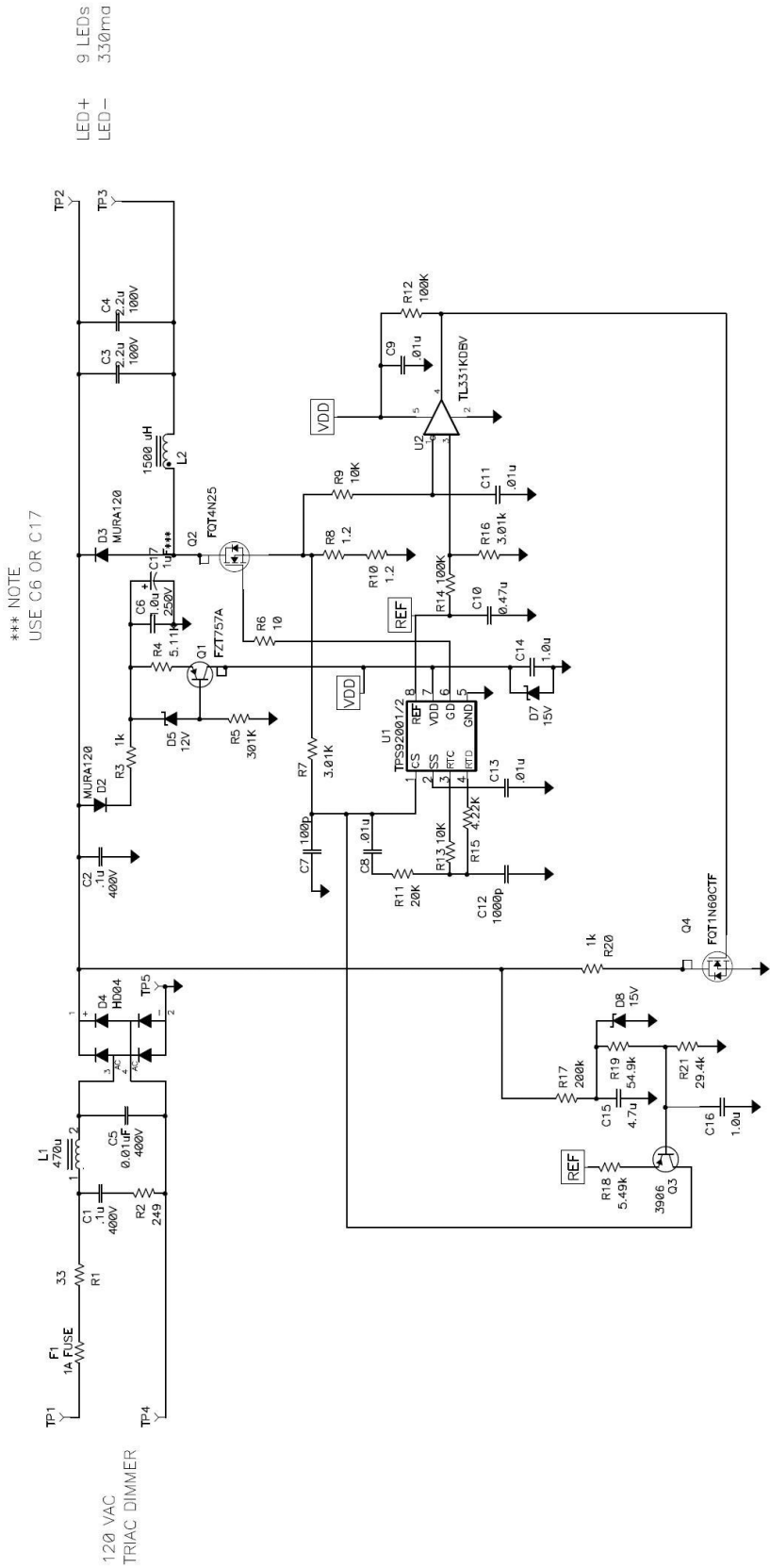


Figure 4. Low-Side (Inverted) Buck with TRIAC Dimming Interface

TYPICAL CHARACTERISTICS

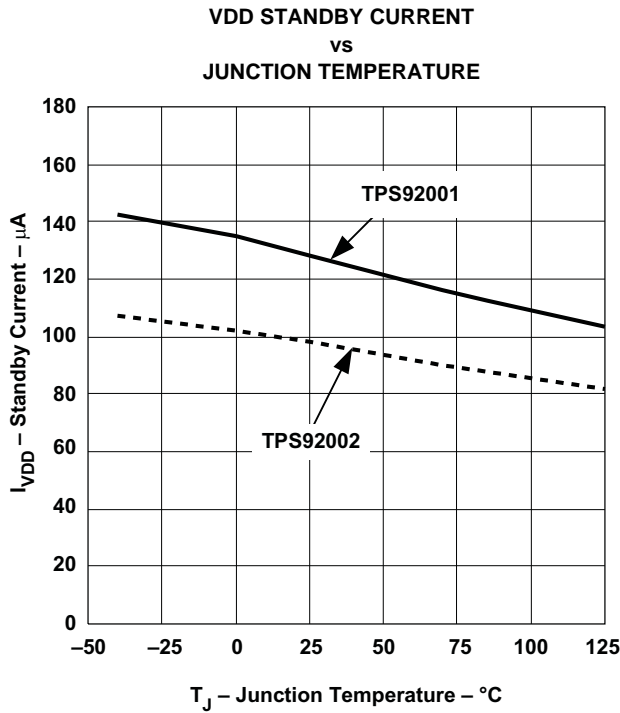


Figure 5.

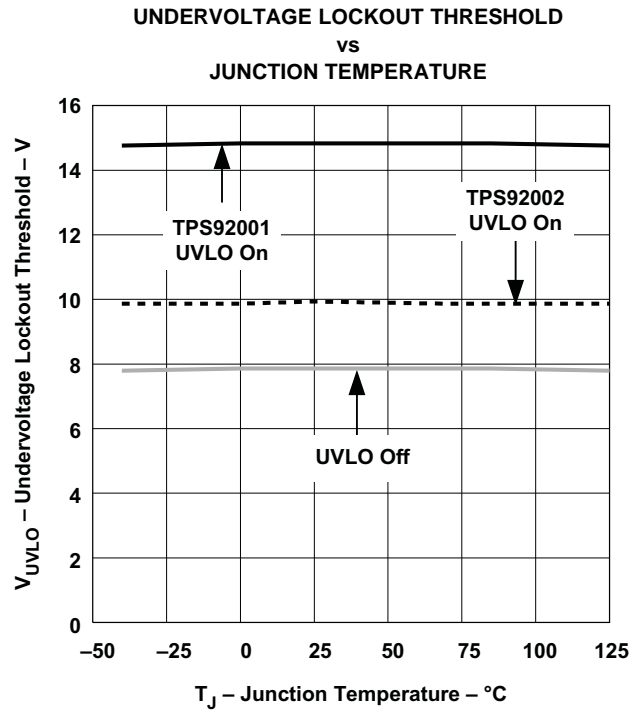


Figure 6.

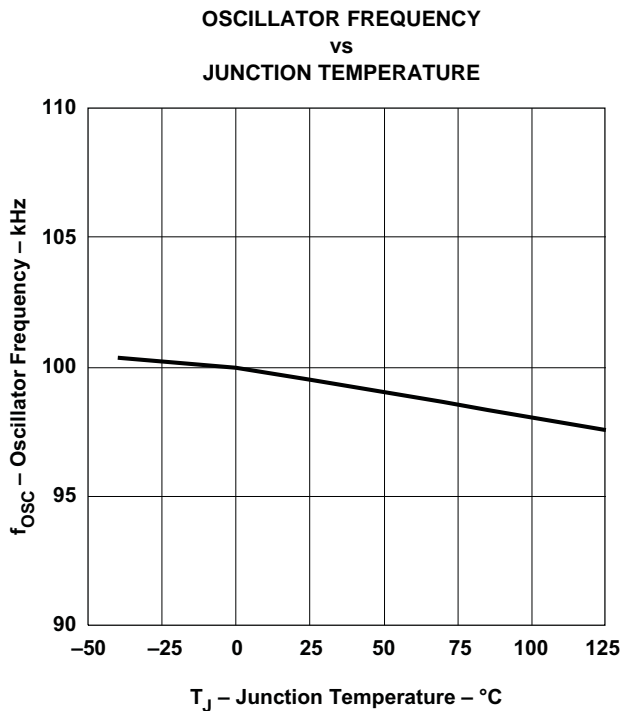


Figure 7.

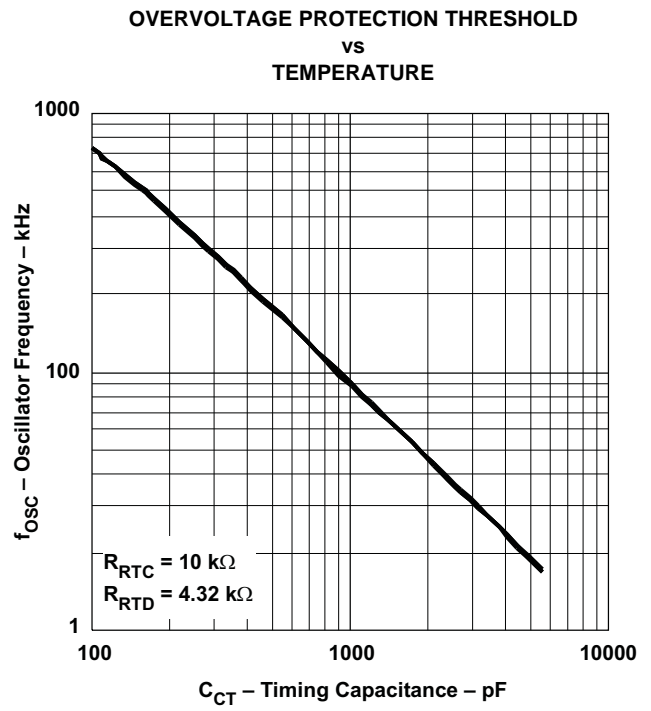


Figure 8.

REVISION HISTORY

Changes from Original (FEBRUARY 2010) to Revision A	Page
• Changed diode direction	1
• Changed Figure 4 title	9

PACKAGING INFORMATION

Orderable Device	Status ⁽¹⁾	Package Type	Package Drawing	Pins	Package Qty	Eco Plan ⁽²⁾	Lead/ Ball Finish	MSL Peak Temp ⁽³⁾	Samples (Requires Login)
TPS92001D	ACTIVE	SOIC	D	8	75	Green (RoHS & no Sb/Br)	CU NIPDAU	Level-1-260C-UNLIM	Contact TI Distributor or Sales Office
TPS92001DGK	ACTIVE	MSOP	DGK	8	80	Green (RoHS & no Sb/Br)	CU NIPDAU	Level-2-260C-1 YEAR	Purchase Samples
TPS92001DGKR	ACTIVE	MSOP	DGK	8	2500	Green (RoHS & no Sb/Br)	CU NIPDAU	Level-2-260C-1 YEAR	Request Free Samples
TPS92001DR	ACTIVE	SOIC	D	8	2500	Green (RoHS & no Sb/Br)	CU NIPDAU	Level-1-260C-UNLIM	Request Free Samples
TPS92002D	ACTIVE	SOIC	D	8	75	Green (RoHS & no Sb/Br)	CU NIPDAU	Level-1-260C-UNLIM	Purchase Samples
TPS92002DGK	ACTIVE	MSOP	DGK	8	80	Green (RoHS & no Sb/Br)	CU NIPDAU	Level-2-260C-1 YEAR	Purchase Samples
TPS92002DGKR	ACTIVE	MSOP	DGK	8	2500	Green (RoHS & no Sb/Br)	CU NIPDAU	Level-2-260C-1 YEAR	Request Free Samples
TPS92002DR	ACTIVE	SOIC	D	8	2500	Green (RoHS & no Sb/Br)	CU NIPDAU	Level-1-260C-UNLIM	Request Free Samples

⁽¹⁾ The marketing status values are defined as follows:

ACTIVE: Product device recommended for new designs.

LIFEBUY: TI has announced that the device will be discontinued, and a lifetime-buy period is in effect.

NRND: Not recommended for new designs. Device is in production to support existing customers, but TI does not recommend using this part in a new design.

PREVIEW: Device has been announced but is not in production. Samples may or may not be available.

OBSOLETE: TI has discontinued the production of the device.

⁽²⁾ Eco Plan - The planned eco-friendly classification: Pb-Free (RoHS), Pb-Free (RoHS Exempt), or Green (RoHS & no Sb/Br) - please check <http://www.ti.com/productcontent> for the latest availability information and additional product content details.

TBD: The Pb-Free/Green conversion plan has not been defined.

Pb-Free (RoHS): TI's terms "Lead-Free" or "Pb-Free" mean semiconductor products that are compatible with the current RoHS requirements for all 6 substances, including the requirement that lead not exceed 0.1% by weight in homogeneous materials. Where designed to be soldered at high temperatures, TI Pb-Free products are suitable for use in specified lead-free processes.

Pb-Free (RoHS Exempt): This component has a RoHS exemption for either 1) lead-based flip-chip solder bumps used between the die and package, or 2) lead-based die adhesive used between the die and leadframe. The component is otherwise considered Pb-Free (RoHS compatible) as defined above.

Green (RoHS & no Sb/Br): TI defines "Green" to mean Pb-Free (RoHS compatible), and free of Bromine (Br) and Antimony (Sb) based flame retardants (Br or Sb do not exceed 0.1% by weight in homogeneous material)

⁽³⁾ MSL, Peak Temp. -- The Moisture Sensitivity Level rating according to the JEDEC industry standard classifications, and peak solder temperature.

Important Information and Disclaimer: The information provided on this page represents TI's knowledge and belief as of the date that it is provided. TI bases its knowledge and belief on information provided by third parties, and makes no representation or warranty as to the accuracy of such information. Efforts are underway to better integrate information from third parties. TI has taken and continues to take reasonable steps to provide representative and accurate information but may not have conducted destructive testing or chemical analysis on incoming materials and chemicals. TI and TI suppliers consider certain information to be proprietary, and thus CAS numbers and other limited information may not be available for release.

In no event shall TI's liability arising out of such information exceed the total purchase price of the TI part(s) at issue in this document sold by TI to Customer on an annual basis.

TAPE AND REEL INFORMATION

QUADRANT ASSIGNMENTS FOR PIN 1 ORIENTATION IN TAPE


*All dimensions are nominal

Device	Package Type	Package Drawing	Pins	SPQ	Reel Diameter (mm)	Reel Width W1 (mm)	A0 (mm)	B0 (mm)	K0 (mm)	P1 (mm)	W (mm)	Pin1 Quadrant
TPS92001DGKR	MSOP	DGK	8	2500	330.0	12.4	5.3	3.4	1.4	8.0	12.0	Q1
TPS92001DR	SOIC	D	8	2500	330.0	12.4	6.4	5.2	2.1	8.0	12.0	Q1
TPS92002DGKR	MSOP	DGK	8	2500	330.0	12.4	5.3	3.4	1.4	8.0	12.0	Q1
TPS92002DR	SOIC	D	8	2500	330.0	12.4	6.4	5.2	2.1	8.0	12.0	Q1

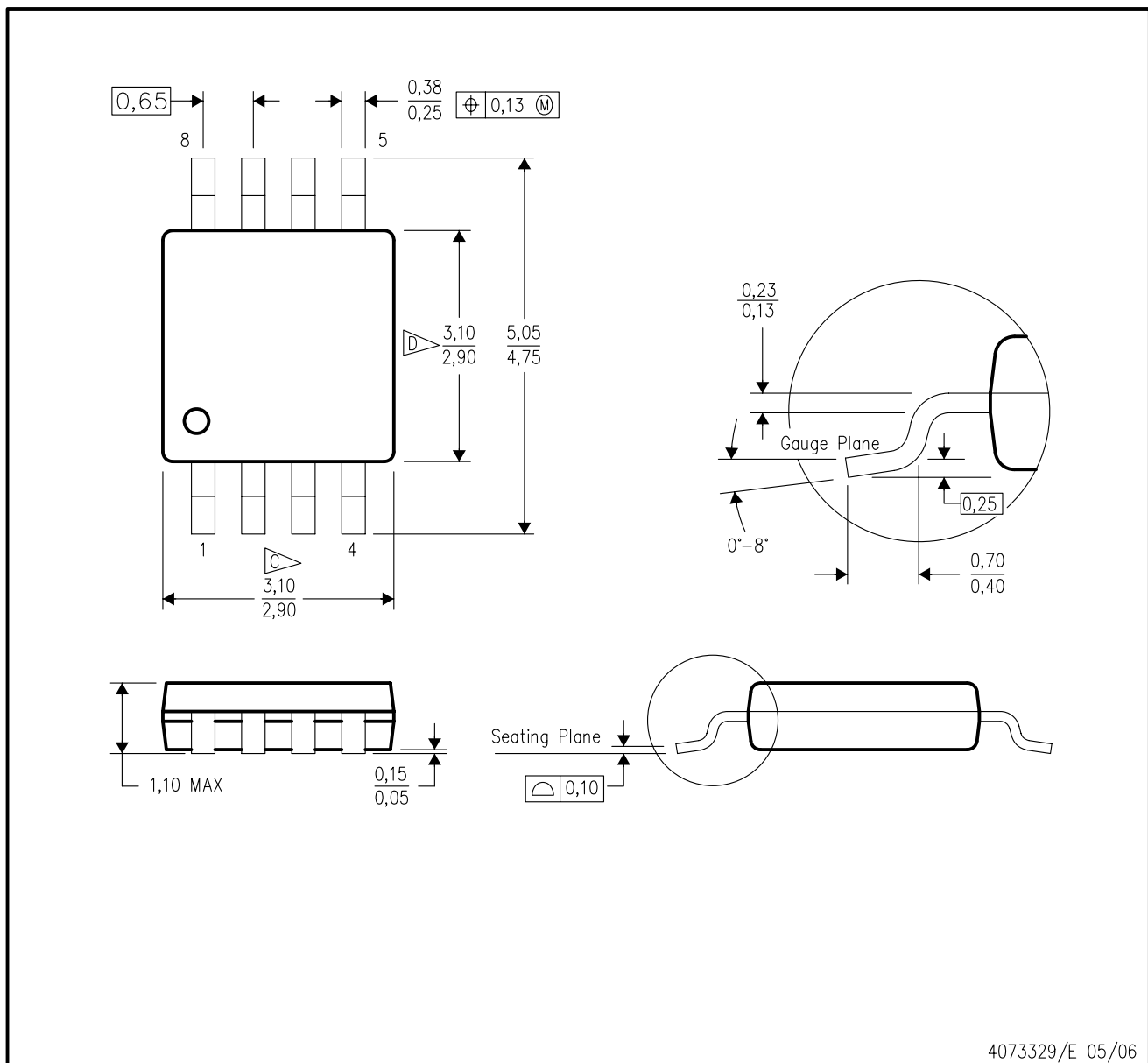
TAPE AND REEL BOX DIMENSIONS


*All dimensions are nominal

Device	Package Type	Package Drawing	Pins	SPQ	Length (mm)	Width (mm)	Height (mm)
TPS92001DGKR	MSOP	DGK	8	2500	346.0	346.0	29.0
TPS92001DR	SOIC	D	8	2500	340.5	338.1	20.6
TPS92002DGKR	MSOP	DGK	8	2500	346.0	346.0	29.0
TPS92002DR	SOIC	D	8	2500	340.5	338.1	20.6

DGK (S-PDSO-G8)

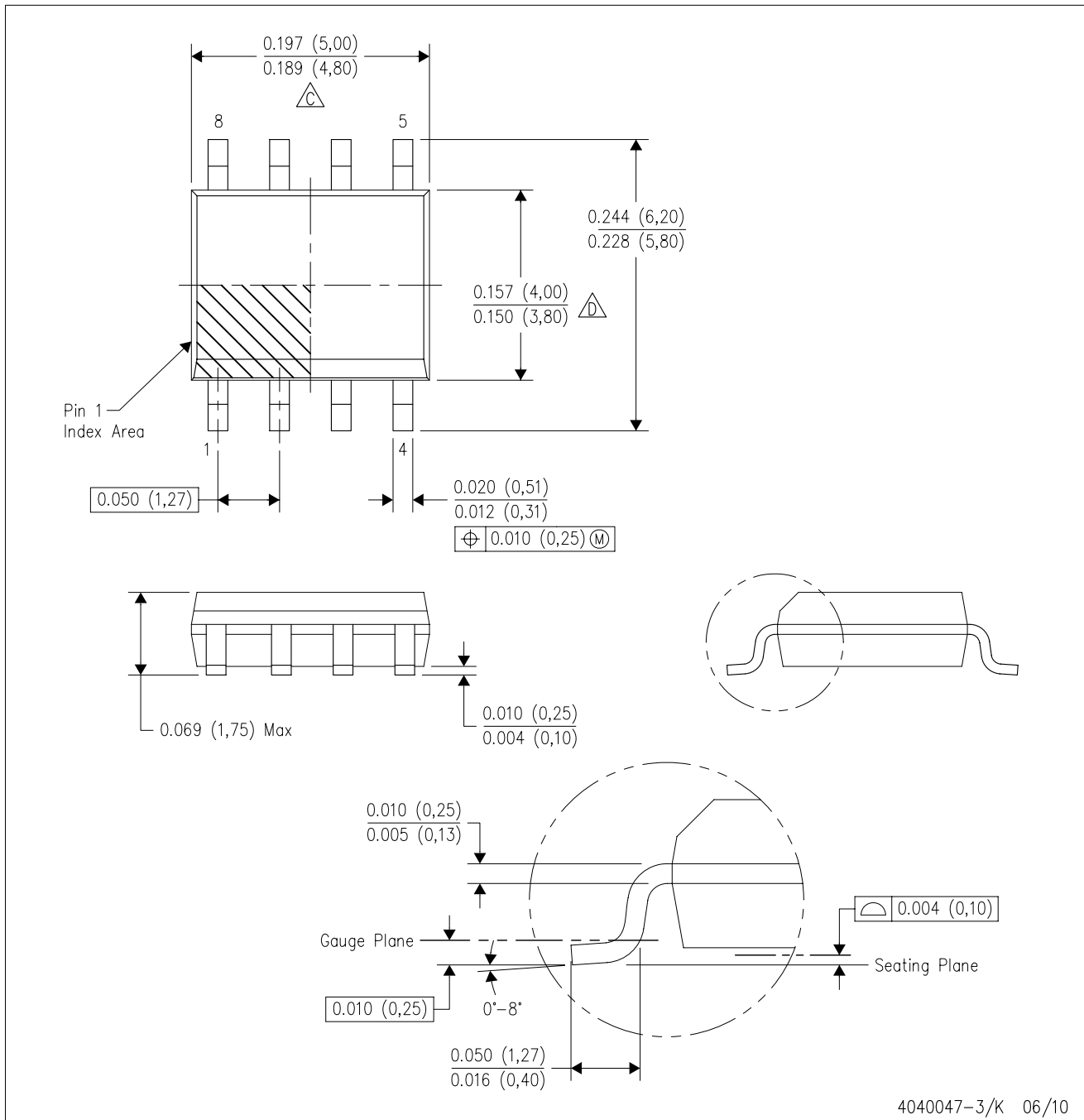
PLASTIC SMALL-OUTLINE PACKAGE



- NOTES:
- A. All linear dimensions are in millimeters.
 - B. This drawing is subject to change without notice.
 - C. Body length does not include mold flash, protrusions, or gate burrs. Mold flash, protrusions, or gate burrs shall not exceed 0.15 per end.
 - D. Body width does not include interlead flash. Interlead flash shall not exceed 0.50 per side.
 - E. Falls within JEDEC MO-187 variation AA, except interlead flash.

D (R-PDSO-G8)

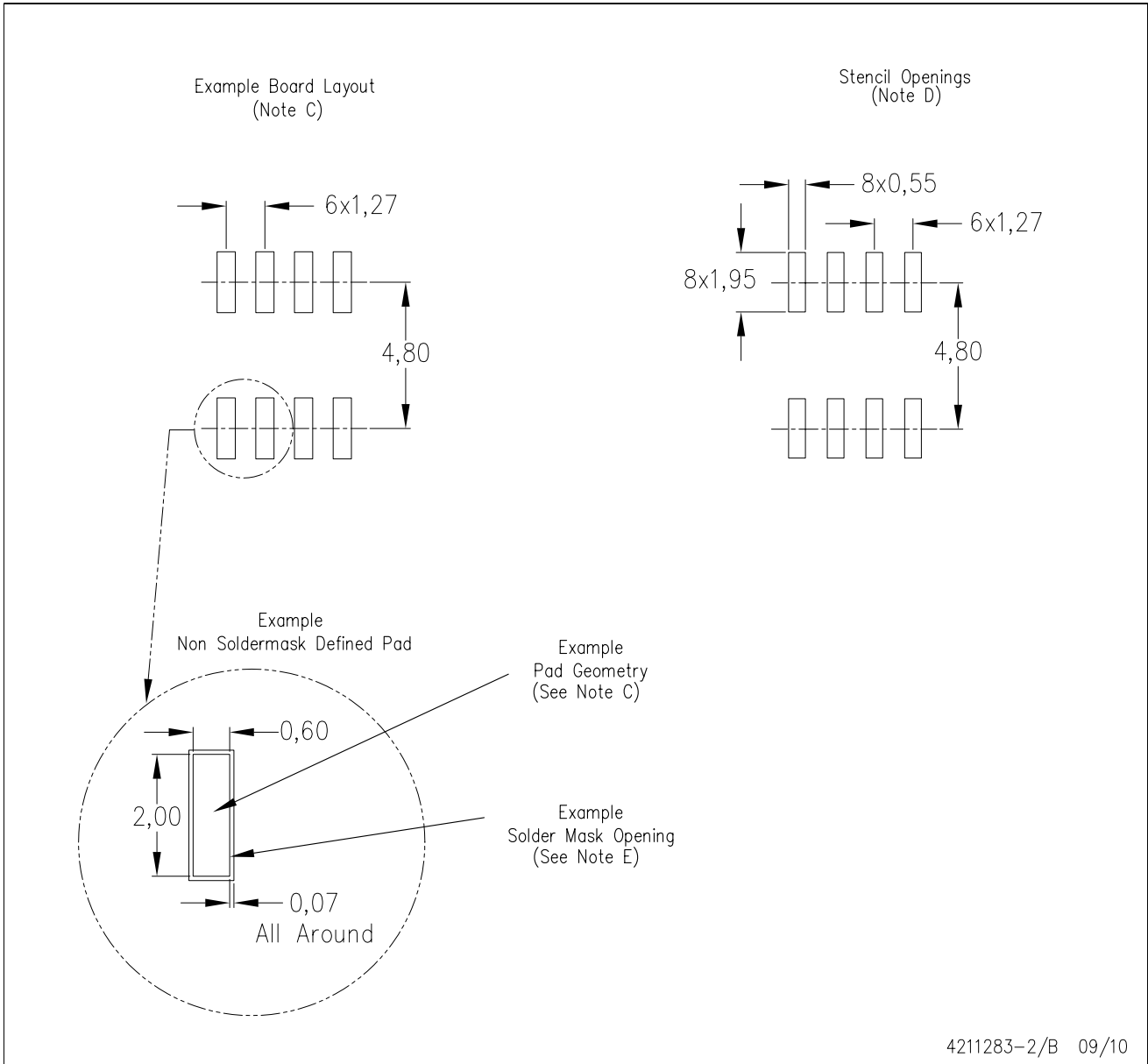
PLASTIC SMALL-OUTLINE PACKAGE



- NOTES:
- A. All linear dimensions are in inches (millimeters).
 - B. This drawing is subject to change without notice.
 - C. Body length does not include mold flash, protrusions, or gate burrs. Mold flash, protrusions, or gate burrs shall not exceed .006 (0,15) per end.
 - D. Body width does not include interlead flash. Interlead flash shall not exceed .017 (0,43) per side.
 - E. Reference JEDEC MS-012 variation AA.

D (R-PDSO-G8)

PLASTIC SMALL OUTLINE



- NOTES:
- All linear dimensions are in millimeters.
 - This drawing is subject to change without notice.
 - Publication IPC-7351 is recommended for alternate designs.
 - Laser cutting apertures with trapezoidal walls and also rounding corners will offer better paste release. Customers should contact their board assembly site for stencil design recommendations. Refer to IPC-7525 for other stencil recommendations.
 - Customers should contact their board fabrication site for solder mask tolerances between and around signal pads.

IMPORTANT NOTICE

Texas Instruments Incorporated and its subsidiaries (TI) reserve the right to make corrections, modifications, enhancements, improvements, and other changes to its products and services at any time and to discontinue any product or service without notice. Customers should obtain the latest relevant information before placing orders and should verify that such information is current and complete. All products are sold subject to TI's terms and conditions of sale supplied at the time of order acknowledgment.

TI warrants performance of its hardware products to the specifications applicable at the time of sale in accordance with TI's standard warranty. Testing and other quality control techniques are used to the extent TI deems necessary to support this warranty. Except where mandated by government requirements, testing of all parameters of each product is not necessarily performed.

TI assumes no liability for applications assistance or customer product design. Customers are responsible for their products and applications using TI components. To minimize the risks associated with customer products and applications, customers should provide adequate design and operating safeguards.

TI does not warrant or represent that any license, either express or implied, is granted under any TI patent right, copyright, mask work right, or other TI intellectual property right relating to any combination, machine, or process in which TI products or services are used. Information published by TI regarding third-party products or services does not constitute a license from TI to use such products or services or a warranty or endorsement thereof. Use of such information may require a license from a third party under the patents or other intellectual property of the third party, or a license from TI under the patents or other intellectual property of TI.

Reproduction of TI information in TI data books or data sheets is permissible only if reproduction is without alteration and is accompanied by all associated warranties, conditions, limitations, and notices. Reproduction of this information with alteration is an unfair and deceptive business practice. TI is not responsible or liable for such altered documentation. Information of third parties may be subject to additional restrictions.

Resale of TI products or services with statements different from or beyond the parameters stated by TI for that product or service voids all express and any implied warranties for the associated TI product or service and is an unfair and deceptive business practice. TI is not responsible or liable for any such statements.

TI products are not authorized for use in safety-critical applications (such as life support) where a failure of the TI product would reasonably be expected to cause severe personal injury or death, unless officers of the parties have executed an agreement specifically governing such use. Buyers represent that they have all necessary expertise in the safety and regulatory ramifications of their applications, and acknowledge and agree that they are solely responsible for all legal, regulatory and safety-related requirements concerning their products and any use of TI products in such safety-critical applications, notwithstanding any applications-related information or support that may be provided by TI. Further, Buyers must fully indemnify TI and its representatives against any damages arising out of the use of TI products in such safety-critical applications.

TI products are neither designed nor intended for use in military/aerospace applications or environments unless the TI products are specifically designated by TI as military-grade or "enhanced plastic." Only products designated by TI as military-grade meet military specifications. Buyers acknowledge and agree that any such use of TI products which TI has not designated as military-grade is solely at the Buyer's risk, and that they are solely responsible for compliance with all legal and regulatory requirements in connection with such use.

TI products are neither designed nor intended for use in automotive applications or environments unless the specific TI products are designated by TI as compliant with ISO/TS 16949 requirements. Buyers acknowledge and agree that, if they use any non-designated products in automotive applications, TI will not be responsible for any failure to meet such requirements.

Following are URLs where you can obtain information on other Texas Instruments products and application solutions:

Products		Applications	
Amplifiers	amplifier.ti.com	Audio	www.ti.com/audio
Data Converters	dataconverter.ti.com	Automotive	www.ti.com/automotive
DLP® Products	www.dlp.com	Communications and Telecom	www.ti.com/communications
DSP	dsp.ti.com	Computers and Peripherals	www.ti.com/computers
Clocks and Timers	www.ti.com/clocks	Consumer Electronics	www.ti.com/consumer-apps
Interface	interface.ti.com	Energy	www.ti.com/energy
Logic	logic.ti.com	Industrial	www.ti.com/industrial
Power Mgmt	power.ti.com	Medical	www.ti.com/medical
Microcontrollers	microcontroller.ti.com	Security	www.ti.com/security
RFID	www.ti-rfid.com	Space, Avionics & Defense	www.ti.com/space-avionics-defense
RF/IF and ZigBee® Solutions	www.ti.com/lprf	Video and Imaging	www.ti.com/video
		Wireless	www.ti.com/wireless-apps